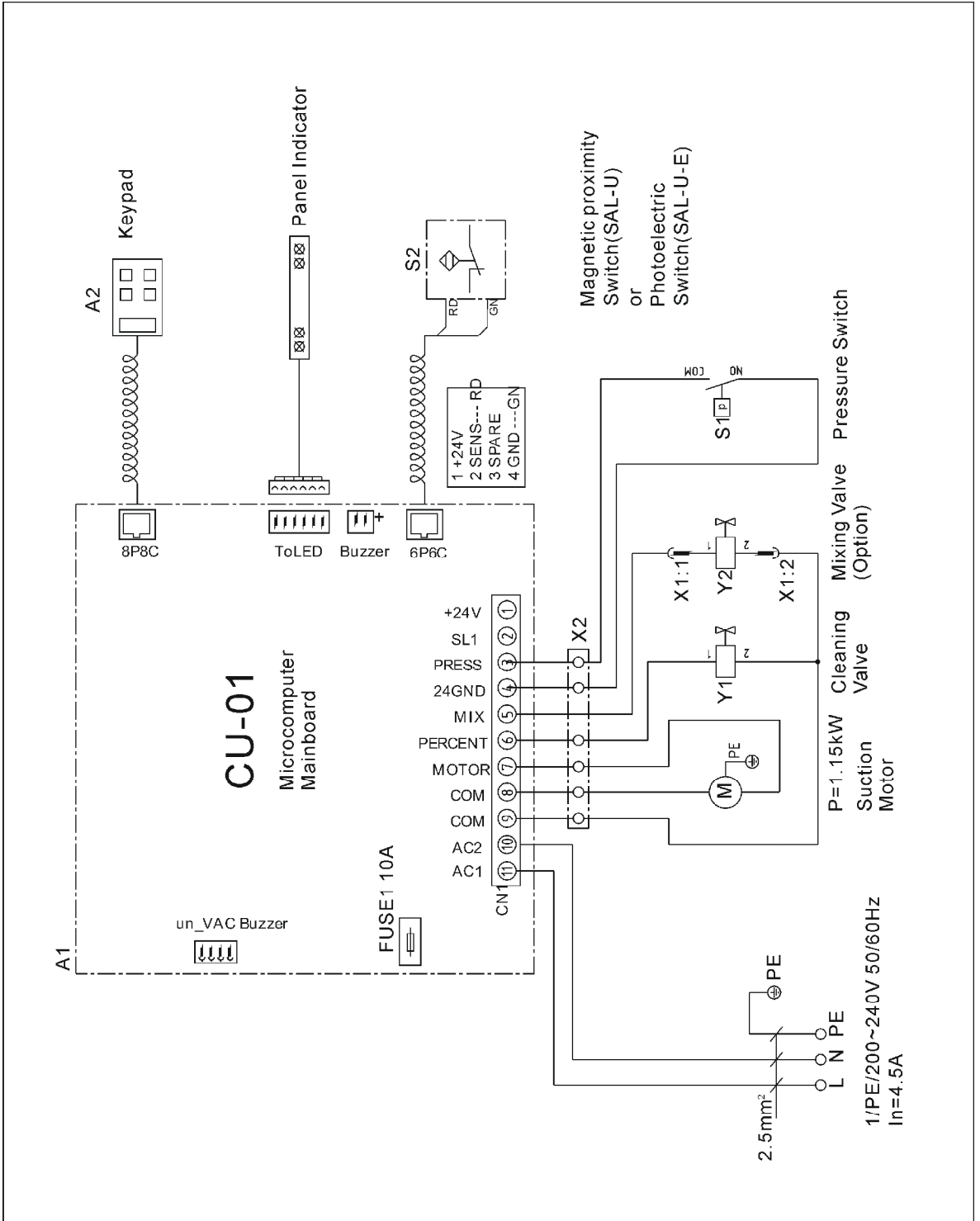


1. SAL-U Main Circuit (230V)



2. SAL-U Electrical Components List (230V)

NO.	Symbol	Name	SAL-1U	
			Specification	Part NO.
1	A1	Microcomputer mainboard*	230VAC 50/60Hz	YE80023560000
2	A2	Keypad*	-	YE80001000000
3	S1	Pressure switch*	250VAC 20MA	YE15002000100
4	S2	Magnetic proximity switch*	24VDC	YE15123000100
5	X1	Waterproof Connector	250V 3P	YE62163000100
6	X2	Terminal board	10A	YE61000600300
7	Y1	Solenoid valve	230V 50/60Hz	YE32213100000

* means possible broken parts. ** means easy broken parts. A spare backup is suggested.

Please confirm the version of manual is compatible with equipment before placing the purchase order to guarantee that the item number of the spare part is in accordance with the real object.

NO.	Symbol	Name	SAL-3U~12U	
			Specification	Part NO.
1	A1	Microcomputer mainboard*	230VAC 50/60Hz	-
2	A2	Keypad*	-	-
3	S1	Pressure switch*	250VAC 20MA	YE15002000100
4	S2	Magnetic proximity switch*	24VDC	YE15123000000
5	X1	Waterproof Connector	250V 3P	YE62163000100
6	X2	Terminal board	10A	YE61000600300
7	Y1	Solenoid valve	230V 50/60Hz	YE32213100000

* means possible broken parts. ** means easy broken parts. A spare backup is suggested.

Please confirm the version of manual is compatible with equipment before placing the purchase order to guarantee that the item number of the spare part is in accordance with the real object.

NO.	Symbol	Name	SAL-U~E	
			Specification	Part NO.
1	A1	Microcomputer mainboard*	230VAC 50/60Hz	-
2	A2	Keypad*	-	-
3	S1	Pressure switch*	250VAC 20MA	YE15002000100
4	S2	Magnetic proximity switch*	24VDC	YE15143900000
5	X1	Waterproof Connector	250V 3P	YE62163000100
6	X2	Terminal board	10A	YE61000600300
7	Y1	Solenoid valve	230V 50/60Hz	YE32213100000

* means possible broken parts. ** means easy broken parts. A spare backup is suggested.

Please confirm the version of manual is compatible with equipment before placing the purchase order to guarantee that the item number of the spare part is in accordance with the real object.